



HUMIDITY

KELE 3% WALL DELTA STYLE HUMIDITY TRANSMITTER HWD30K SERIES

DESCRIPTION

The Kele Series HWD30K Wall Delta style humidity transmitters have been specifically designed for use in HVAC/BAS applications. These instruments measure relative humidity from 5% to 90% RH with 3% accuracy and produce a two wire 4-20 mA linear output. All are available with an optional passive RTD or thermistor.

NEW!



HWD30K

FEATURES

- 3% accuracy (5% to 90%)
- Two-wire, 4-20 mA RH output
- Optional temperature thermistor
- Optional temperature RTD

9

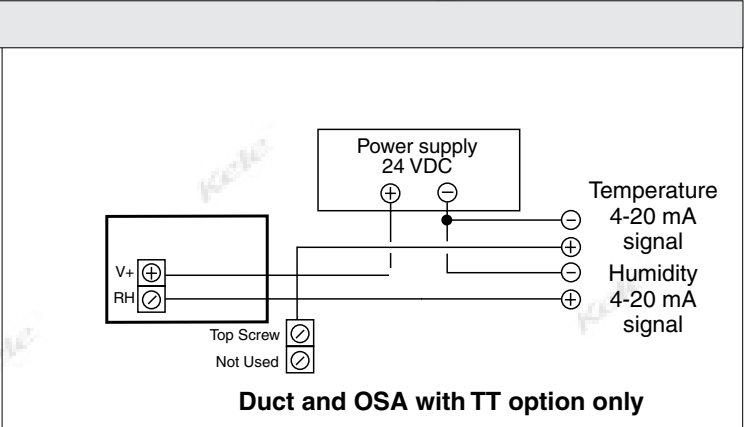
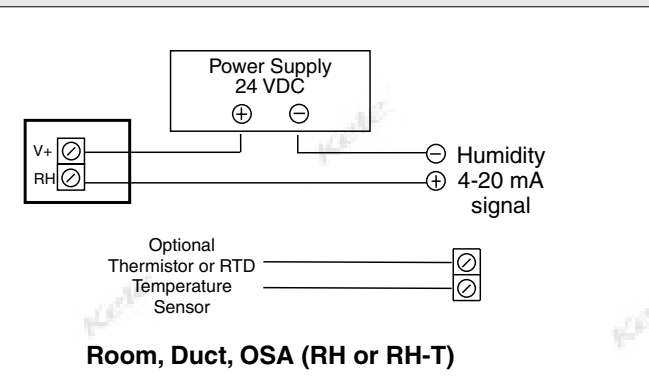
HUMIDITY

SPECIFICATIONS

Accuracy	2% RH @ 73°F (23°C) from 5% to 90% RH
Stability	0.5% drift per year
Thermal Effect	0.07% per °F
Supply Voltage	9.5-28 VDC
Signal Output	4-20 mA, Thermistor, RTD
Maximum Output Impedance mA	725Ω @ 24VDC (Supply voltage - 9.5V) / 0.02
Measurement Range RH	0-100%

Temperature	-20° to 140°F (-29° to 60°C) (see ordering information)
Operating Temperature	-20° to 158°F (-29° to 70°C)
Operating Humidity	0-100% RH non-condensing
Enclosure Rating	plastic
Wiring Terminations	Terminal block (22 to 16 AWG)
Dimensions	2.8" x 4.5" 1.0" (7 x 11.4 x 2.5 cm)
Weight	0.3 lb (0.09 Kg)
Approvals	RoHs
Warranty	1 year

WIRING



NEW!



KELE 3% WALL DELTA STYLE HUMIDITY TRANSMITTER HWD30K SERIES

ORDERING INFORMATION

MODEL	DESCRIPTION
HDW30K	3% delta beige room humidity transmitter, 4-20 mA output
	OPTIONS (Temperature Sensors or Transmitters)
--	No temperature sensor
T3	10,000Ω thermistor @ 77°F (25°C), Type III
T21	2252Ω thermistor @ 77°F (25°C), Type II
T22	3000Ω thermistor @ 77°F (25°C), Type II
T24	10,000Ω thermistor @ 77°F (25°C), Type II
T27	100,000Ω thermistor @ 77°F (25°C), Type II
T42	20,000Ω thermistor @ 77°F (25°C), Type IV
T63	1000Ω nickel RTD @ 70°F (21°C), (yellow leads)
T81	100Ω RTD @ 32°F (0°C), 385 platinum curve
T85	1000Ω 385 platinum RTD
T91	1000Ω 375 platinum RTD

HWD30K - **T3** *Example:* **HWD30K-T3** Delta beige room 3% humidity sensor with 10 kΩ Type III temperature sensor

RELATED PRODUCTS

DCPA-1.2
DCP-1.5-W

Power supply, 120 VAC In to 24 VAC/24 VDC Out
Power supply, 24 VAC IN to 24 VDC OUT